
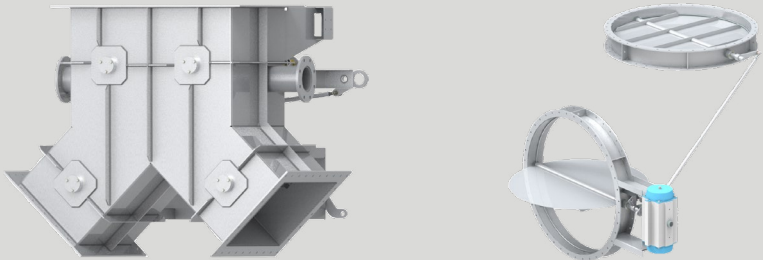


Diverter damper

A product line from Steinberg + Kirsch®

	DIVERTER DAMPER
Design	<ul style="list-style-type: none"> - Round or rectangular - Robust design - Low maintenance - As a unit or linked
Size	<ul style="list-style-type: none"> - According to requirement
Tightness	<ul style="list-style-type: none"> - 99–99.9% area equivalent - Up to 100% tightness with sealing air
Temperature	<ul style="list-style-type: none"> - Up to 600 °C
Drives	<ul style="list-style-type: none"> - Electric rotary drive - Pneumatic actuator - Manual with hand wheel/lever
Damper models	

Diverter dampers are used in industrial plants to feed air or gas flows to different systems or processes.

The diverter damper can be used in many applications, e.g. in air treatment or in exhaust gas treatment. Often, during start-up and shutdown processes, air or gas flows have to be directed to other aggregates than during continuous operation. A typical example are combined cycle power plants, where the exhaust gas flow from the gas turbine during start-up must be directed directly into the stack rather than into the heat recovery steam generator. Other examples may be diversions from a filter into a heat exchanger or from a furnace into an exhaust gas treatment unit.

Due to the wide range of applications, EnergieLink diverter dampers are individually designed and fabricated according to the particular application. In close cooperation with our customers, we take into account the specific requirements to ensure that our diverter damper reliably and permanently fulfills the required functions.



**Please contact us
for more information!**

Rafael Moreno
Sales Engineer

T +41 76 512 47 73
moreno@energielink.ch

EnergieLink GmbH
Markgrafenstrasse 1
44623 Herne | Germany

T +41 56 511 03 33
F +41 56 511 03 38
info@energielink.eu
www.energielink.eu

EnergieLink
PLANT ENGINEERING & SOLUTIONS